

QubeVu® Workstation



Assembly Guide

Document version 1.0

©2014 Postea Inc.

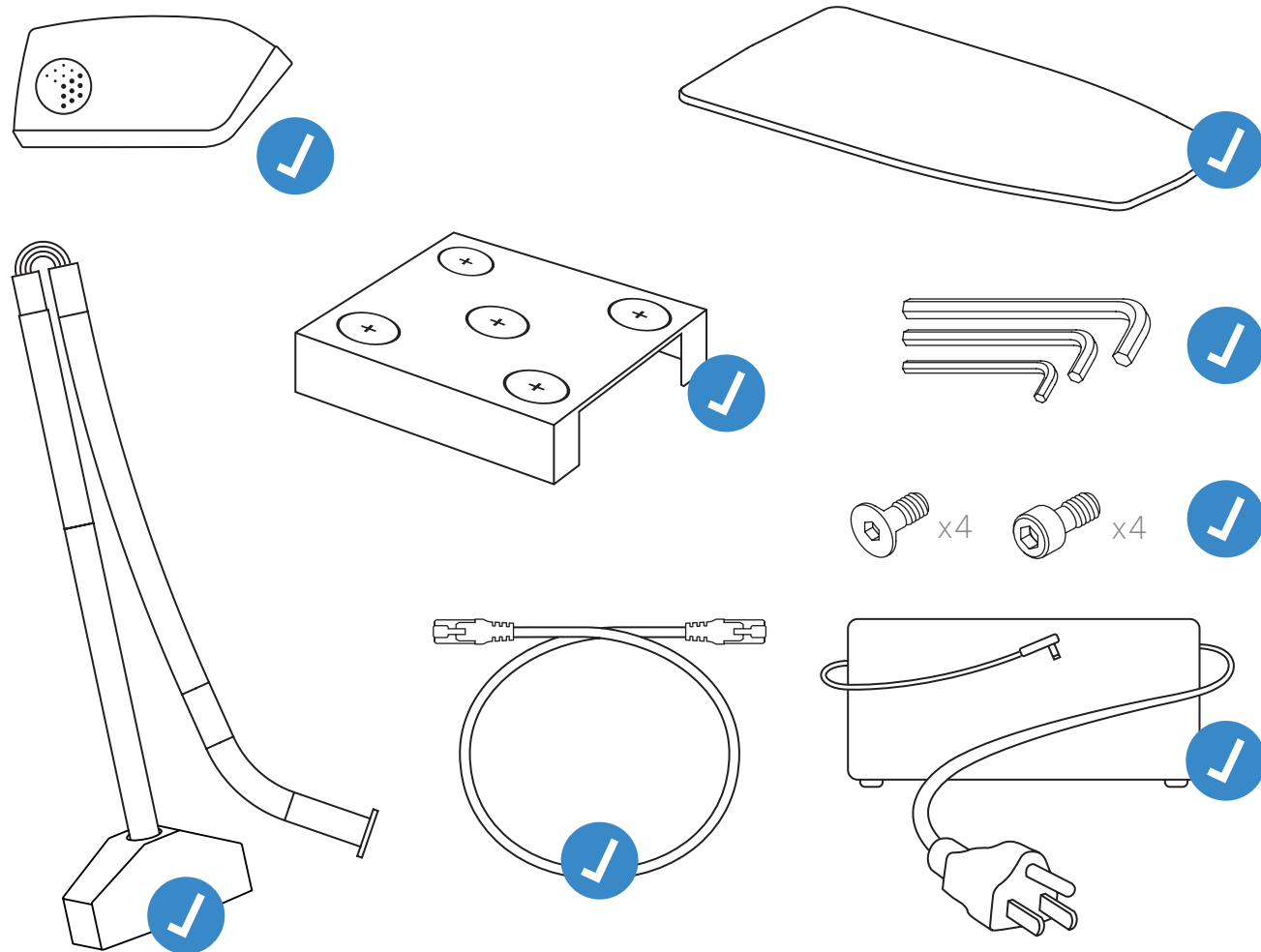
1

Instructions & inventory

Failure to adhere to all assembly instructions, including all warnings, will invalidate any product warranties. Resulting damage may lead to charges for unit repair or replacement.

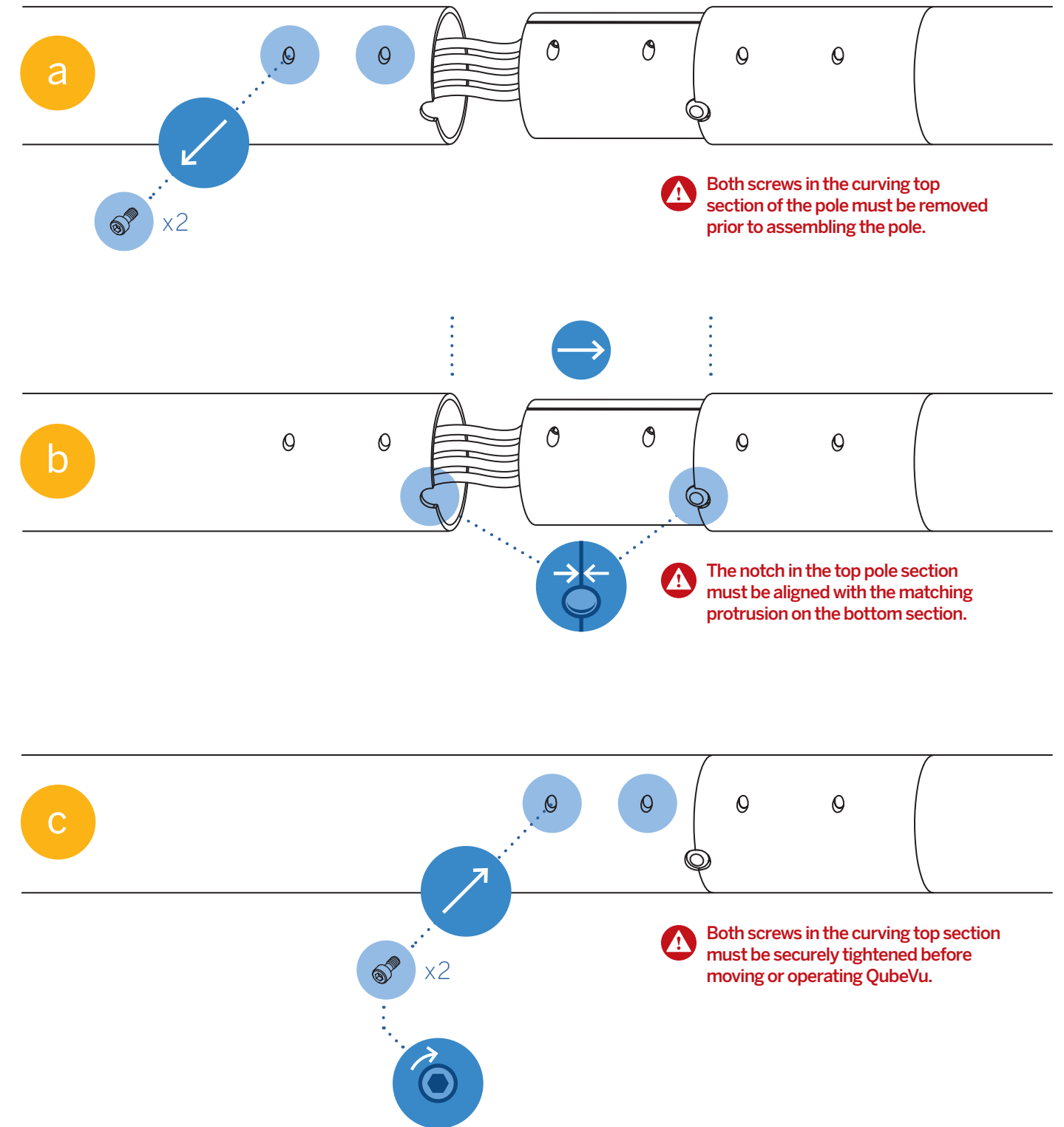
- Retain QubeVu packaging. When transporting your unit, always disassemble and pack it in its original packaging.
- Use only supplied power adapter. Never short-circuit the power adapter or the QubeVu device.
- Keep dry.
- Operate only between 5°C and 40°C.
- Never remove QubeVu's head cover, or the electrical connection panels at the base of the pole assembly.
- Never modify or attempt to repair your unit. Service must be performed only by Postea personnel.

- Handle cables and cable connectors with care. Never use damaged power cords and plugs or loose electrical sockets, or touch the power cord with wet hands.
- Ensure that the base plate, pole assembly and head unit are all securely attached before attempting to move your unit.
- Never lift QubeVu by grasping only the pole assembly; always ensure that both sections of the pole assembly and the base plate are supported.
- Never drop or allow an impact to QubeVu's head.
- Mount on a flat surface.
- Never use QubeVu for anything other than its intended purpose.
- Never distribute copyright-protected QubeVu material.

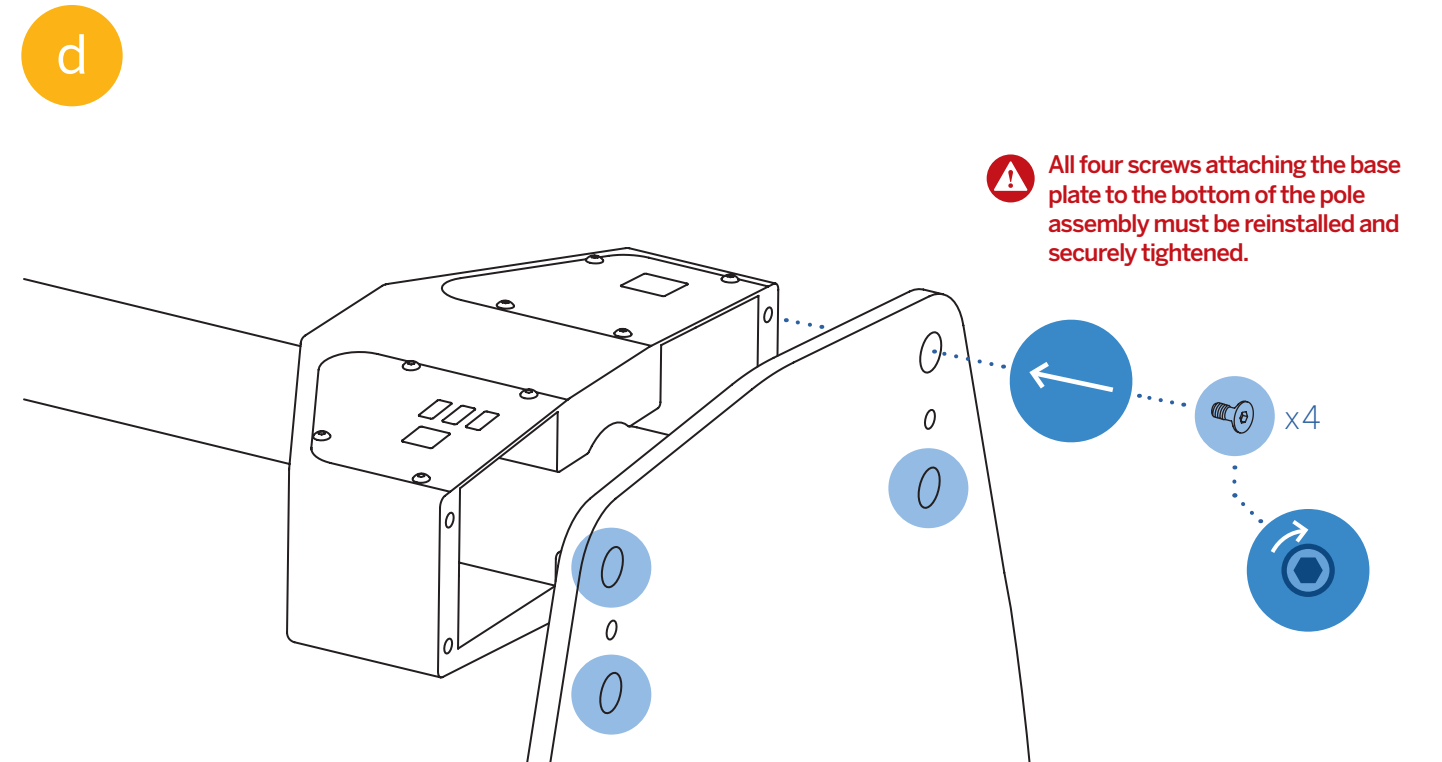
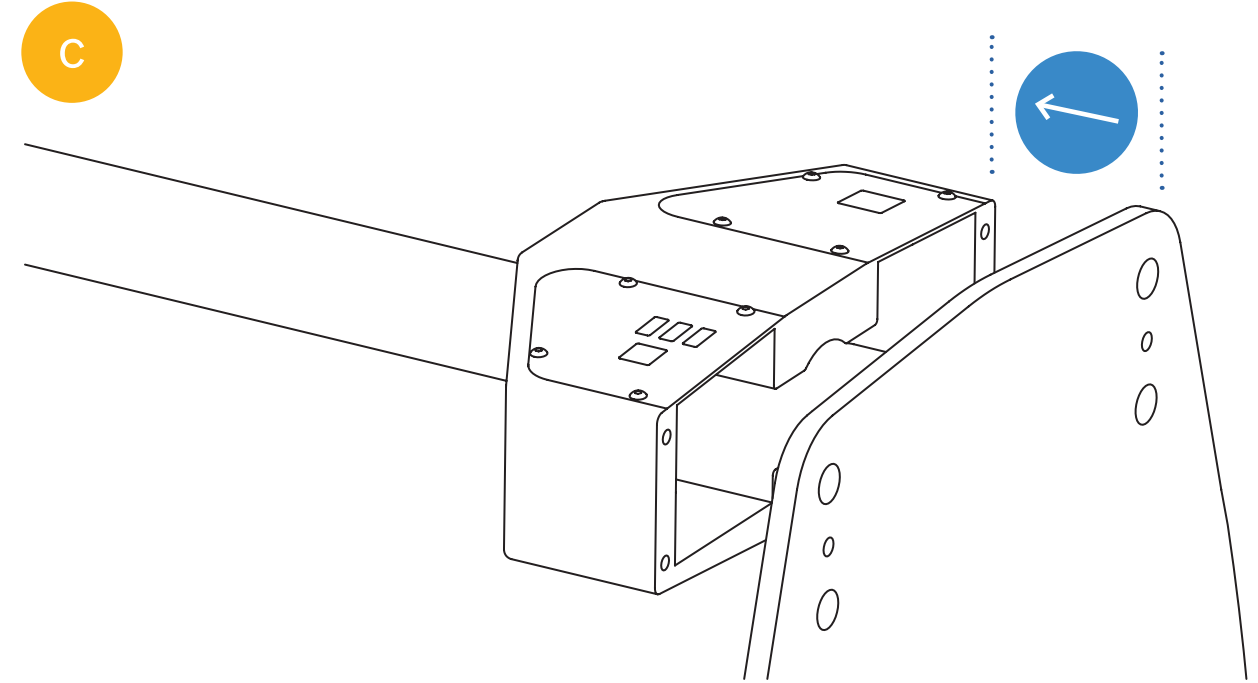
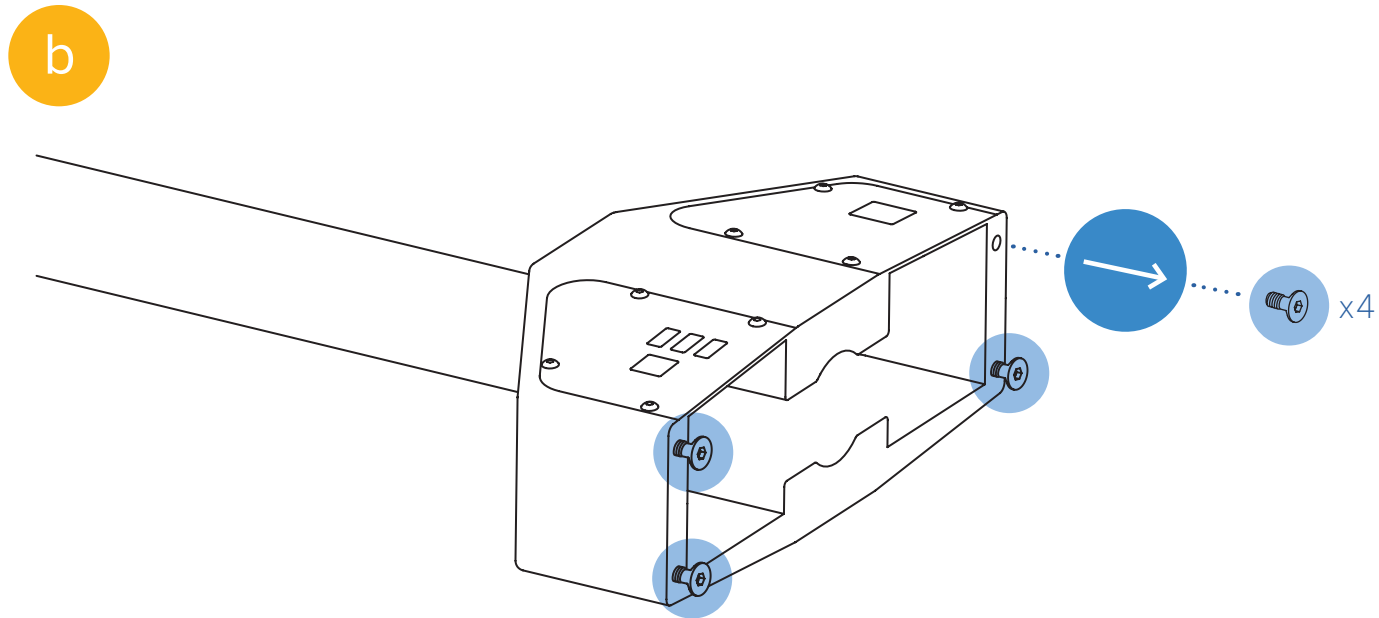
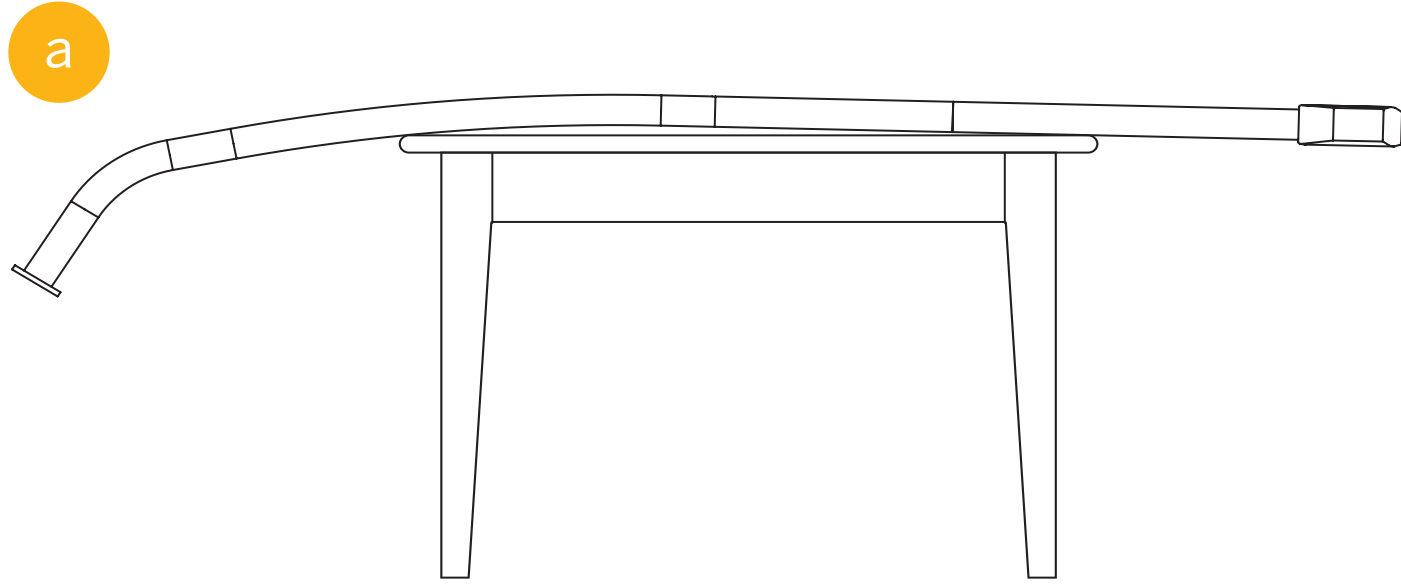


2

Pole assembly



3 Base assembly



4 Head assembly

