

QubeVu® DimStation™

Freestanding dimensioning solution with integrated display offering incomparable performance and value



DimStation is a freestanding unit with integrated display – a complete solution for retail and industrial settings. With a 10-minute setup time and XML-based API integration means you'll be up and dimensioning in no time.

DimStation's tiny footprint fits anywhere, so can you design your workflow for maximum efficiency.

Like every QubeVu, DimStation offers instant dimensioning of any object in any orientation – cubes, tubes, polybags and irregular shapes.

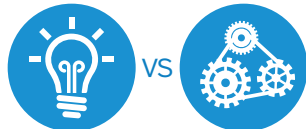
- *World's fastest dimensioning*
- *Dimensions any shape in any orientation*
- *0.2 in | 5 mm accuracy, globally certified as legal for trade*
- *Built-in imaging for verification, tracking, and claim protection*
- *Super-reliable sealed unit with zero maintenance and no moving parts*
- *Tiny footprint; deploy anywhere*
- *Use with any USB-enabled scale or none at all*
- *XML-based API integration, plus turnkey integration with popular shipping software packages*
- *Invented and built in the USA*



QubeVu® DimStation™

#1, and no wonder

QubeVu's patented technology is so far ahead of anything else on the market, it's hard even compare it to other dimensioners. While everyone else is still bolting together belts and gears, our small-footprint, solid-state solutions blow right by them. It's no wonder QubeVu is the fastest growing brand of dimensioning equipment.



World's fastest dimensioning

QubeVu dimensions anything in 200 milliseconds. Lightning? The blink of an eye? QubeVu is faster. Contrast that with competitive devices that take seven seconds or longer. You'll ship more, pack more, save more.

Any shape at all

Most dimensioners can handle cubes. And only cubes. QubeVu instantly dimensions cubes, tubes, polybags, irregulars – any shape at all – with certified accuracy. No more set-asides.

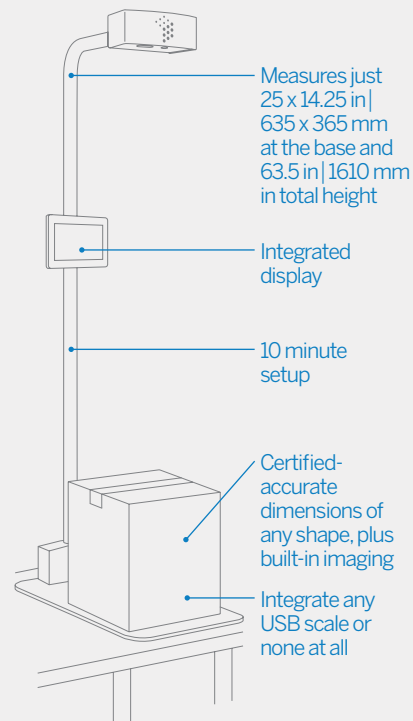


All-in-one solution

DimStation comes with a supporting pole and integrated display, for a complete freestanding solution. 10-minute setup and XML-based API integration means you'll be up and dimensioning in no time.

Any scale or none at all

QubeVu comes scale-ready, and integrates with nearly any USB-enabled unit. Integrated scales will display results on the built-in DimStation display.



Form factor

Small footprint, pole-mounted unit with integrated base and display

Application

Industrial Retail

Speed and accuracy

Sub-second dimensions and 0.2 in | 5 mm accuracy on any shape.

Data collected

Dimensions and an item image.

Maximum object size

48 x 28 x 28 in | 1200 x 700 x 700 mm

Object shape

Cubes, tubes, polybags – any shape at all, in any orientation or alignment.

Scale

Works with nearly any USB-enabled scale.

Integration

XML-based API integration, plus turnkey integration with popular shipping software including UPS WorldShip.

Maintenance

No maintenance required.

Certifications

Globally certified as legal for trade, as well as for accuracy and safety.

